

EHT 2



Ø 100 mm
 Ø 125 mm
 Ø 6 mm
 Silicon
 8 round-head screws Ø3.5x35 not included

≥ 350 mm if A or B
 ≥ 150 mm if C
 ≥ 150 mm if A
 ≥ 350 mm if B or C
 ≥ 2000 mm
 4A. Ø ≤ 130 mm (recommended)
 4B. Ø > 130 mm

≤ 15 mm IN OUT ≤ 15 mm

IN

A
 HAUT / OBEN / TOP
 BAS / UNTEN / BOTTOM
 Ø ≤ 130 mm

4

B

7

B Ø > 130 mm
 Maximum torque = 1Nm

A

C

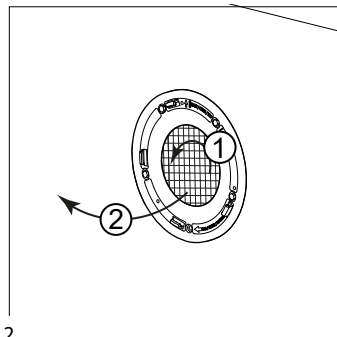
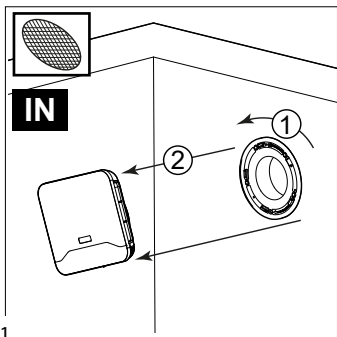
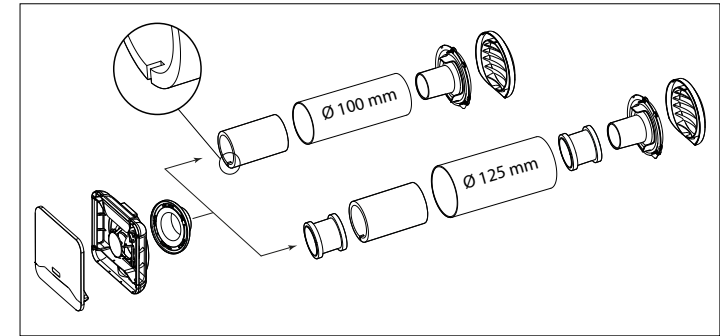
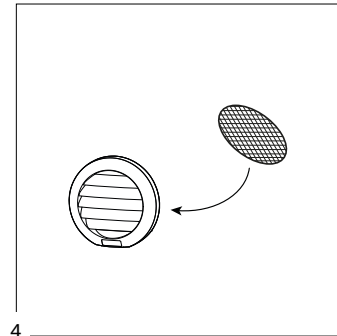
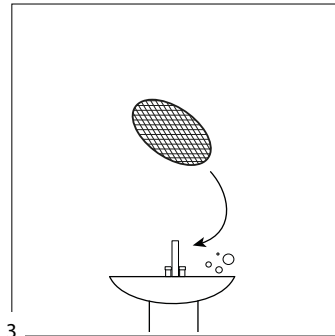
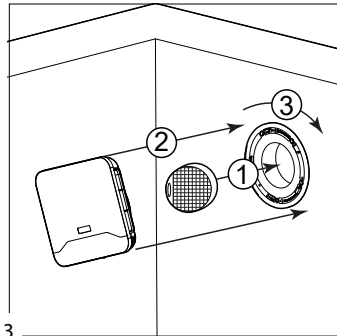
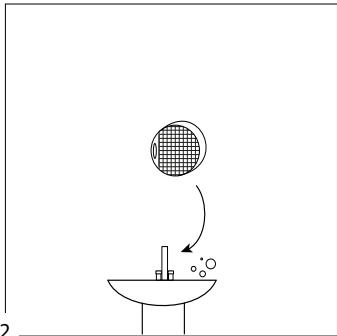
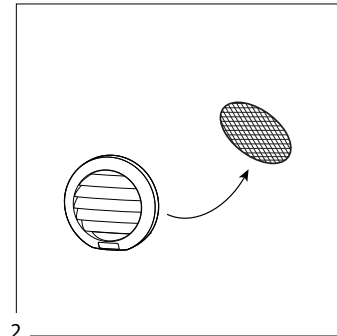
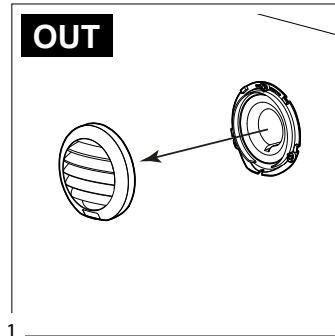
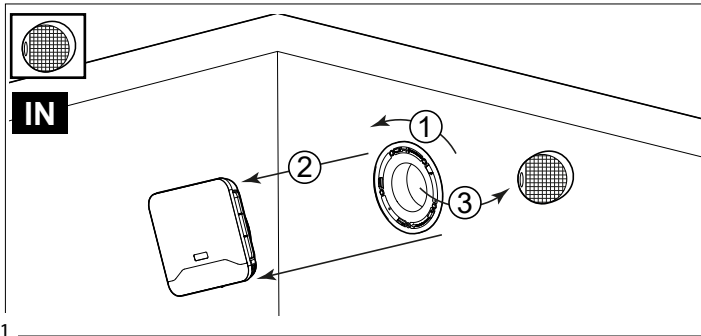
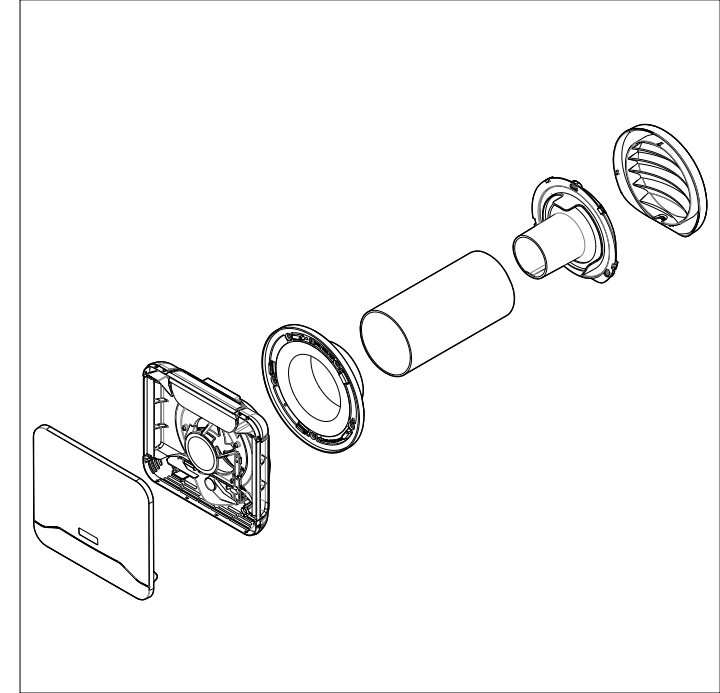
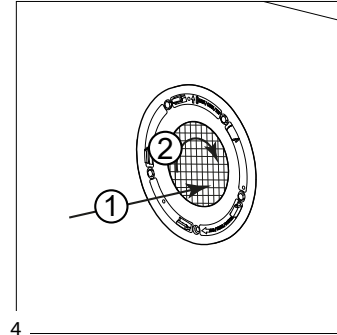
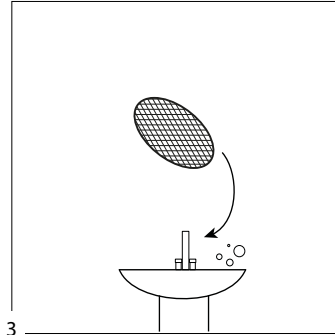
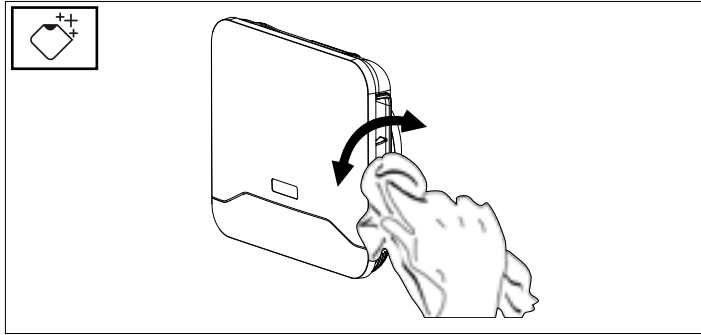
8

OUT

A
 HAUT / OBEN / TOP
 Ø ≤ 130 mm

B Maximum torque = 1Nm
 : Max
 ~ : Hygro
 ○ : Min

IN ← **OUT**



62 rue de Lamirault
Collégien
77615 MARNE LA VALLEE
CEDEX 3
FRANCE

www.aereco.com

